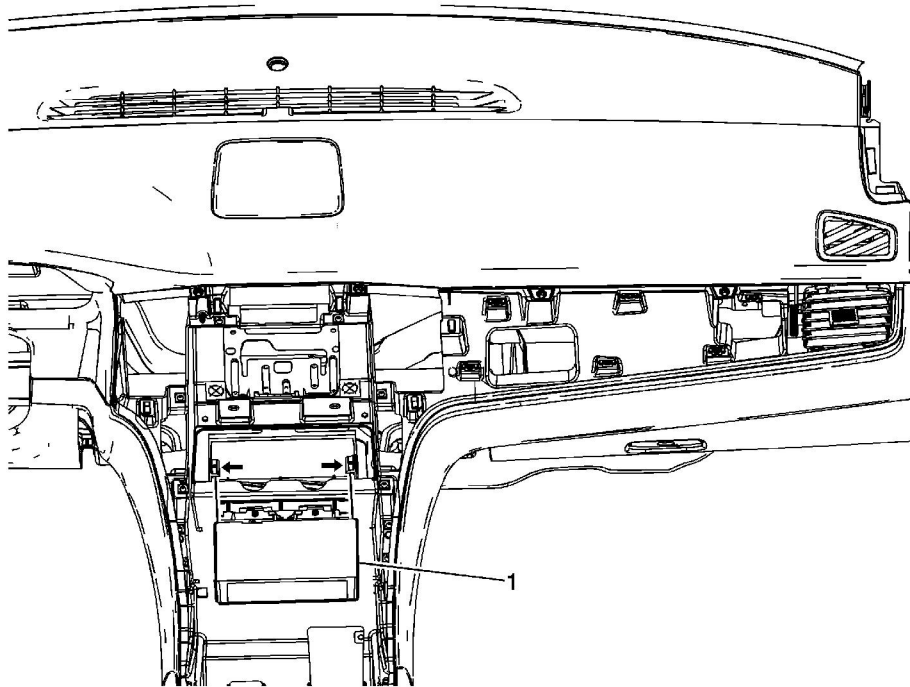


# Communication Interface Module Replacement (Cadillac)



Callout	Component Name
<p><b>Preliminary Procedure</b></p> <ol style="list-style-type: none"> <li>1. Remove the instrument Panel Accessory Trim Plate. Refer to <a href="#">Instrument Panel Accessory Trim Plate Replacement</a>.</li> <li>2. Remove the radio. Refer to <a href="#">Radio Replacement</a>.</li> <li>3. Remove the HVAC Control Module. Refer to <a href="#">HVAC Control Module Replacement</a> or <a href="#">HVAC Control Module Replacement</a>.</li> </ol>	
<p>1</p>	<p>Communication Interface Module</p> <p><b>Tip</b></p> <ul style="list-style-type: none"> <li>• Push outward on the two tabs to release the communication interface module from the bracket.</li> <li>• Disconnect the electrical connectors.</li> <li>• When replacing the communication interface module be sure to transfer Bluetooth Antenna, if equipped.</li> <li>• Reprogram the communication interface module after replacement. Refer to</li> </ul> <p>© 2011 General Motors Corporation. All rights reserved.</p>

[Control Module References.](#)